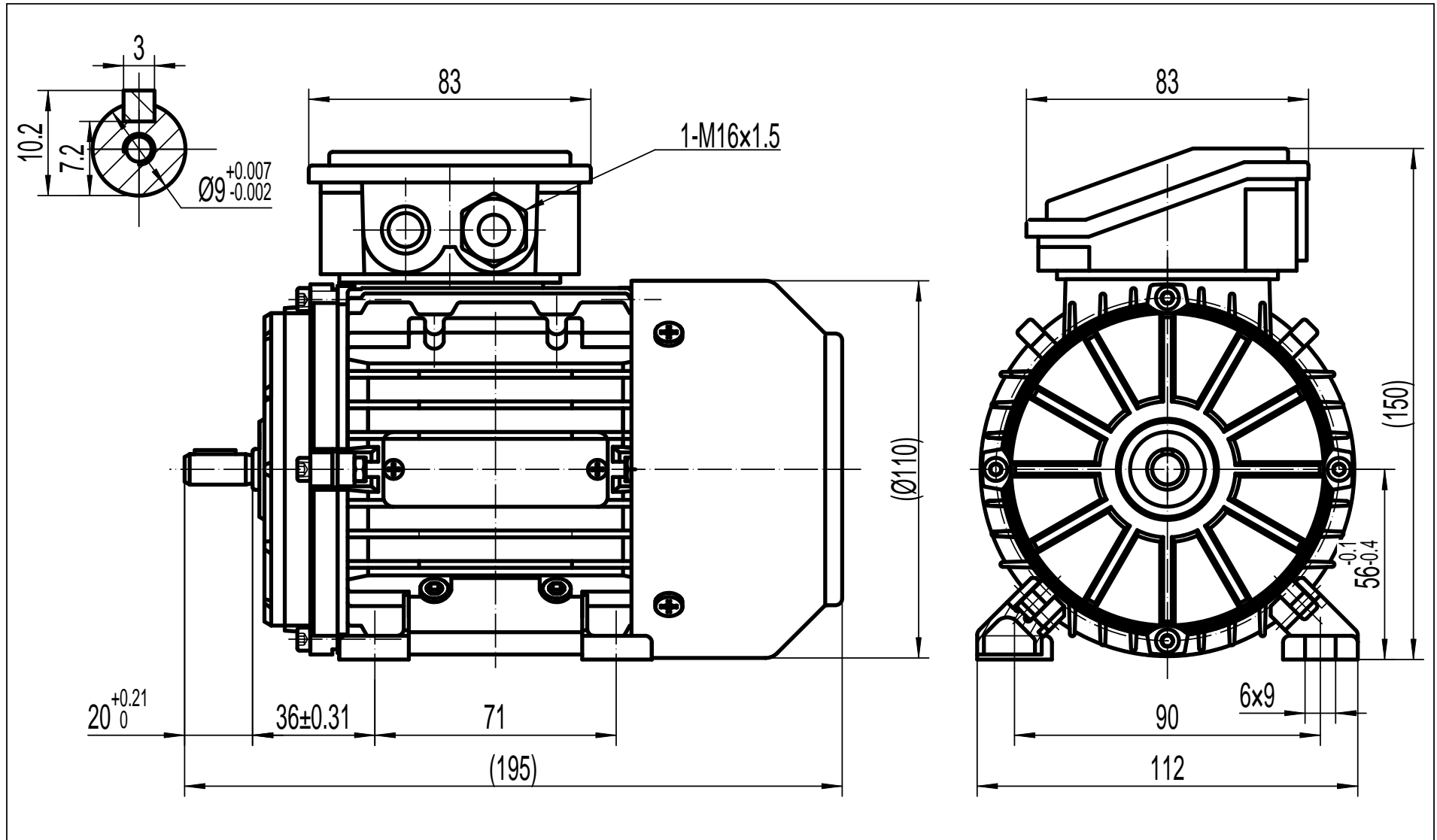


OUTLINE DIMENSIONAL DRAWING



TECHTOP AUSTRALIA PTY LTD	
FRAME	TAI 56A B3
DATE	RAWING NO.
2011/10/14	1ST080.050.001-011 A